

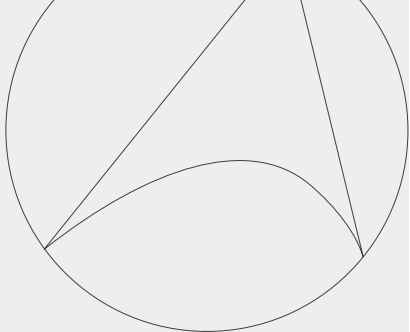


LOCKABLE PULL HANDLES



 ARGESAN[®]

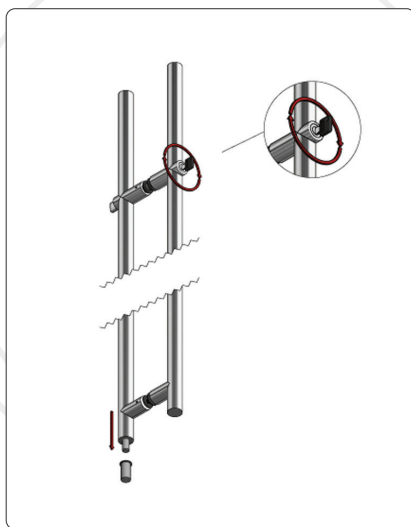
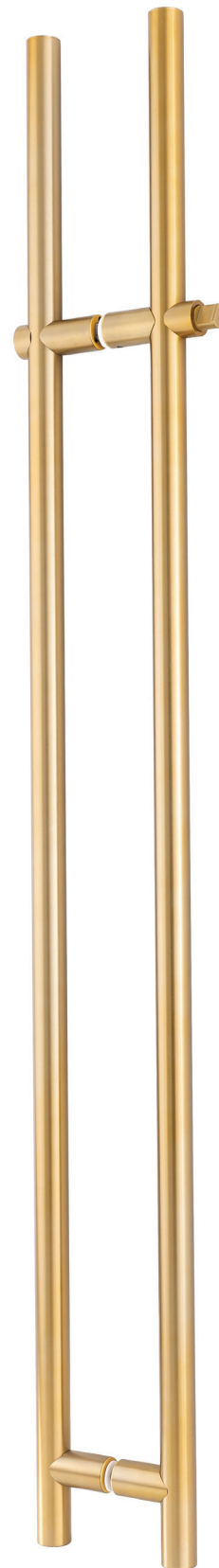
www.argesan.com.tr



LOCKABLE PULL HANDLES

LOCKABLE PULL HANDLES

LOCKABLE PULL HANDLES



BRUSHED
FINISHES

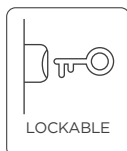


ANTI-
FINGERPRINT
SURFACE



SS
304

SS304
MATERIAL



LOCKABLE



HARDWARE
INCLUDED





Measurement	
Pipe	Q35mm
Lenght	150 cm (59")



www.argesan.com.tr

Argesan Kalıp San. ve Tic. LTD. ŞTİ.

A: Ahi Evran OSB Mah. Oğuz Cad. No : 11 06935 Sincan / ANKARA / TÜRKİYE

T: +90 312 395 30 38 (pbx) **F:** +90 312 395 30 79