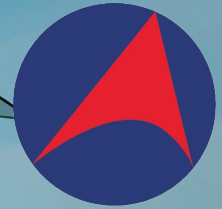




**BTS ALUMINIUM**



Argesan is Manufacturer  
Dealer of BTS Aluminium



**The standards stay the same, but  
innovation never ends...**

**N100**

**BTS Self Supporting Canopy System**





- Aesthetic View
- Connector Rods are not required
- Easy Assembly
- Proper for 17,52 mm glass
- Numerous profiles can be mounted in series



Argesan is Manufacturer  
Dealer of BTS Aluminium

BTS Aluminium Self Supporting Canopy System will give any entrance an uncomplicated, graceful look. With the use of tempered laminated glass you can add a range of glass colors, textures, and special effects not available with typical monolithic glass.

This complements and enhances the design of any building. Self supporting aluminium profile, holds the glass with a special fitting which comes with profile. Connector rods are not required and you can install numerous profiles to extend the canopy in desired length.





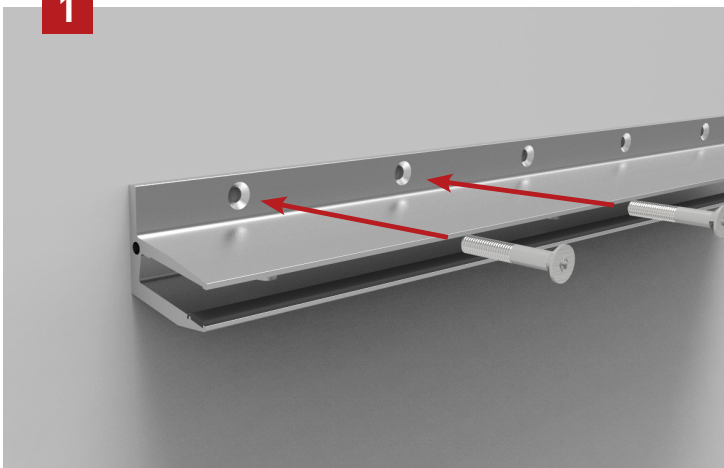
# BTS Self Supporting Canopy System



Code	N100-100	N100-140	N100-160	N100-180	N100-200	N100-300
Length	100 cm	140 cm	160 cm	180 cm	200 cm	300 cm
Prefabricated	✓	✓	✓	✓	✓	✓
Finish	Natural Anodized & Powder C.	Natural Anodized & Powder C.	Natural Anodized & Powder C.	Natural Anodized & Powder C.	Natural Anodized & Powder C.	Natural Anodized & Powder C.
Glass Stoppers & Acc.	Included	Included	Included	Included	Included	Included
Glass Thickness	8+8 (17,52 mm)	8+8 (17,52 mm)	8+8 (17,52 mm)	8+8 (17,52 mm)	8+8 (17,52 mm)	8+8 (17,52 mm)
Glass Type	Heat Strengthened/Tempered	Heat Strengthened/Tempered	Heat Strengthened/Tempered	Heat Strengthened/Tempered	Heat Strengthened/Tempered	Heat Strengthened/Tempered
Glass Interlayer	SGP	SGP	SGP	SGP	SGP	SGP

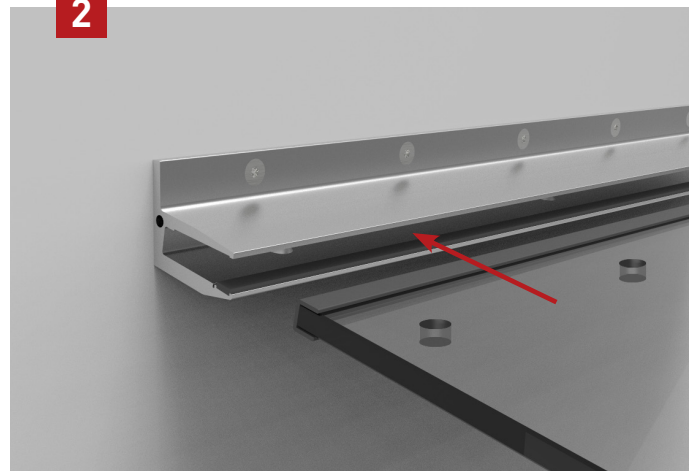
Mount the aluminium profile with appropriate fastening material to the wall.

1



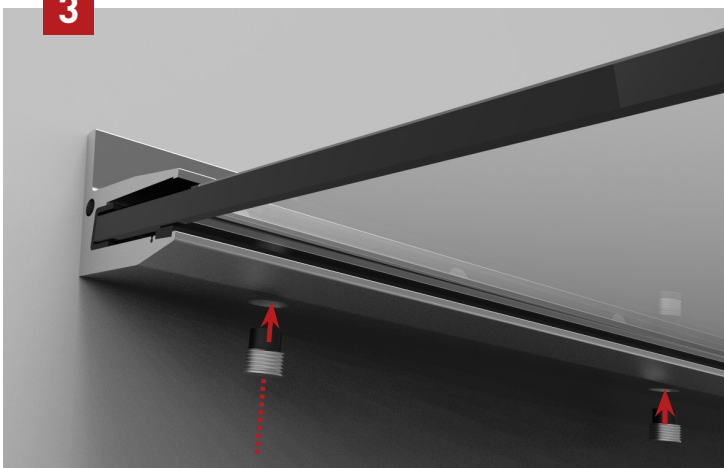
Fit the edge protection rubber onto the glass and then insert the glass into the aluminium profile.

2



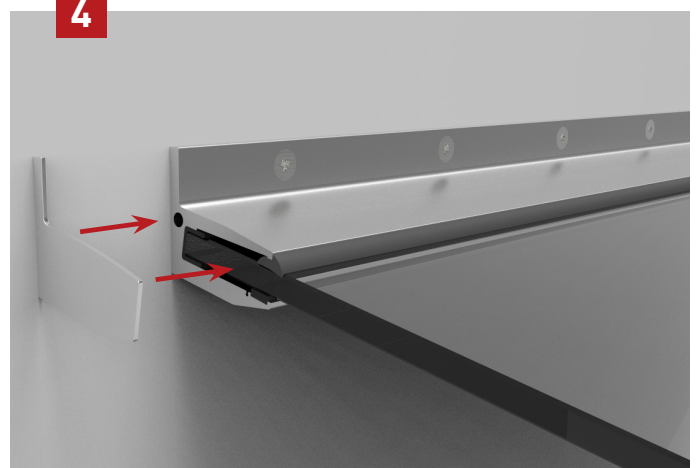
Align the glass panel and secure it with glass fixings.

3



Place the endcaps on the profile and secure them with screws.

4





# YETKİLİ ÜRETİCİ BAYİ SERTİFİKASI

*BTS ALUMİNİUM*

**“ARGESAN KALIP SAN.TİC.LTD”nin**

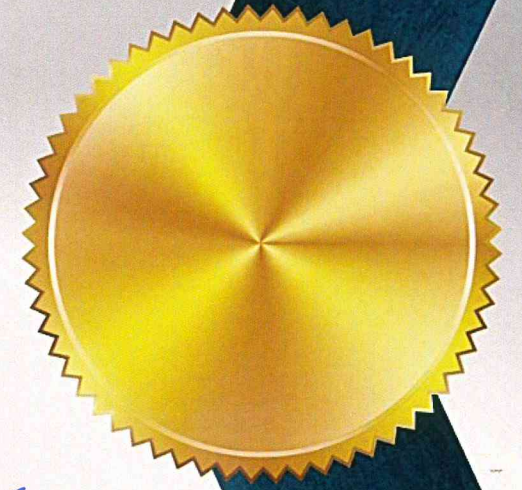
Ahi Evran OSB Mah. Oğuz Cad. No : 11 06935 Sincan / ANKARA / TÜRKİYE

*BTS Markalı Aluminium Sistemlerinin  
imalatını, satışını ve montajını yapmaya yetkili  
üretici bayi olduğunu tasdik eder.*



**BTS**  
ALÜMİNİYUM-METAL VE PVC AKS.SAN.TİC.LTD.ŞTİ.  
BOSB Mermerçiler San.Sit. 7.Cd No:6  
34524 Beylikdüzü / İSTANBUL-TÜRKİYE  
T:0212 876 17 14 / 876 50 88 F:0212 876 08 95  
Beylikdüzü V.D. V.No:187 009 3596

**Burak Şakar (Mr.)  
Managing Director  
BTS Aluminium**





# CERTIFICATE

OF AUTHORIZED MANUFACTURER DEALER

*BTS ALUMINIUM*  
*hereby certifies that*

**“ARGESAN KALIP SAN.TIC.LTD”**

Ahi Evran OSB Mah. Oğuz Cad. No : 11 06935 Sincan / ANKARA / TÜRKİYE

*is the authorized manufacturer dealer to  
manufacture, sell and install BTS Branded  
Aluminum Systems.*



**BTS**  
ALÜMİNYUM-METAL VE PVC AKS SAN.TIC.LTD.ŞTİ.  
BOSB Mermerler San.Şti. 7.Cd No:6  
34524 Beylikdüzü / İSTANBUL-TÜRKİYE  
T:0212 875 17 14 / 876 50 88 F:0212 876 08 95  
Beylikdüzü V.D.V.No:187 009-3596

Burak Şakar (Mr.)  
Managing Director  
BTS Aluminium

