

Argesan is Manufacturer
Dealer of BTS Aluminium



BTS
ALUMINIUM

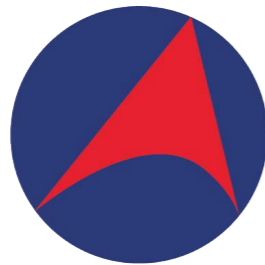


Standards stay the same,
innovation never ends...

ALUMINIUM **VERANDA**
VR100



BTS
ALUMINIUM



**Argesan is Manufacturer
Dealer of BTS Aluminium**

btsaluminium.com



Our company, which started its business life with the production of aluminum accessories in 1988, today is proud of being a brand in aluminum and glass railing systems. Today, BTS Aluminium is delivering its products more than 50 countries in 5 continents. Our aluminum profile extrusion facility is located in Kırklareli/Turkey and equipped with modern machinery with the latest technologies for extrusion.

Our Company, who led the producing of railing systems in Turkey and exported its products to international markets, is still continue to develop itself, finding new solutions with new products and increasing its reliability. Our product range is:

- Frameless Glass Railing Systems
- Aluminium Railing Systems
- Rising Glass Railing / Windbreaker System
- Glass Canopy
- Aluminium Garden Fence Systems
- Aluminium Fixed Veranda / Patio System
- Vertical Sliding Guillotine Glass Wall Systems

We constantly work to satisfy our customers' demands to the very fullest. Our company which has as principles the full customer's satisfaction, best service and high quality in products is exporting the %85 of its production. We are giving enormous importance to develop continuously new products in order to give the best service in this field. Since first day, we have always tried to develop ourselves and our products and offer innovations to our customers.

That's why we say!

"Standards stay the same, innovation never ends!"



All Under
One Roof



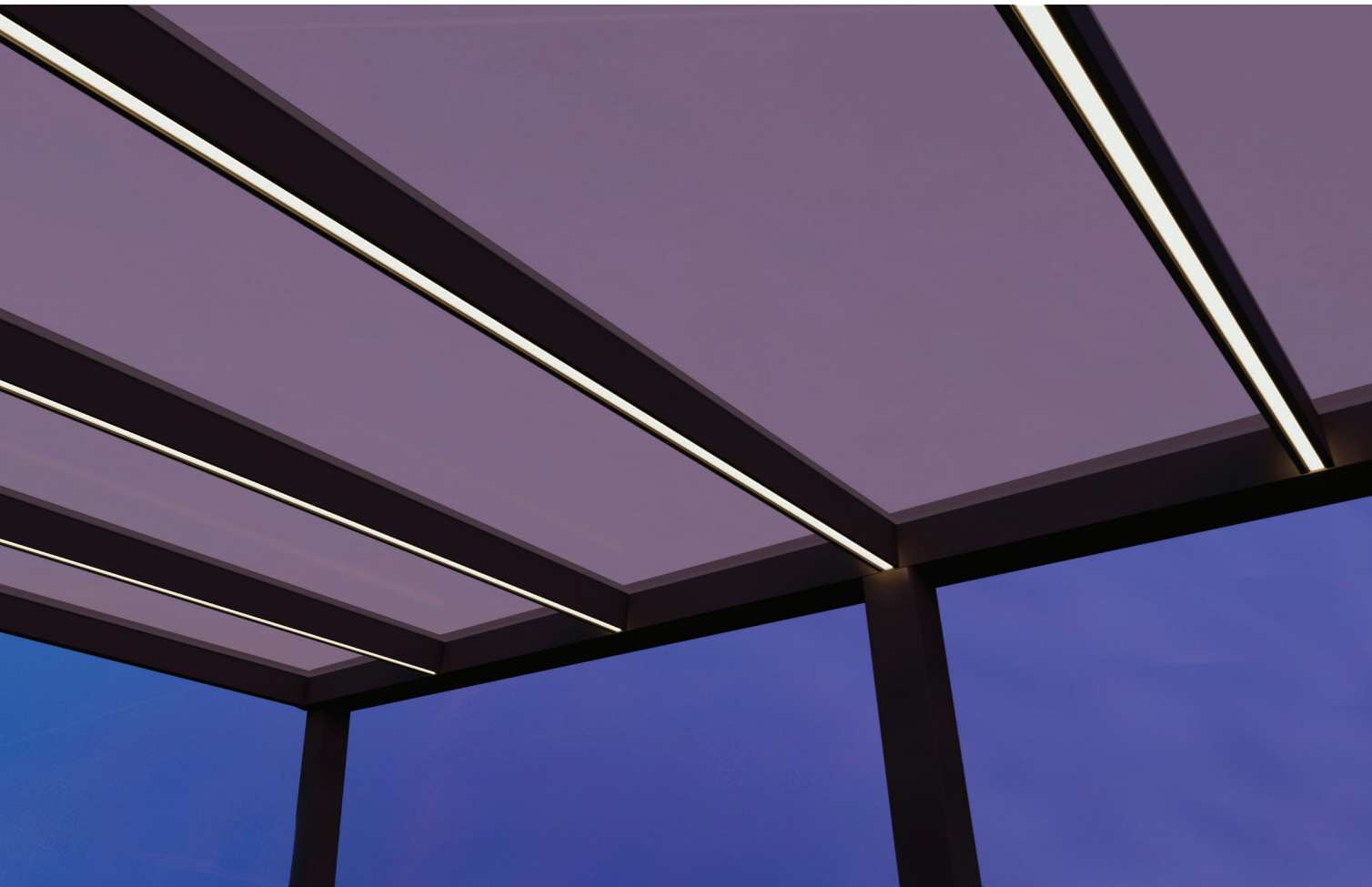
Fast Production
& Delivery



High
Quality



Individual
Approach



Advantages of BTS VR100 Veranda System

- Angle Adjustable: from 5 Degrees to 15 Degrees
- Column Profiles with Two Alternatives (145x145 mm & 115x115 mm)
- Front Decor Profiles with Three Alternatives
- LED Light Channel on Carrier Profile
- Steel Reinforcement Possibility for Long Depths in Carrier Profiles and Drainage Profile
- Steel Anchoring to the Ground
- Maximum Leakproofing with Extra Gaskets



Glass (8,76 mm & 6+12+4.4 Insulated Glass Option)



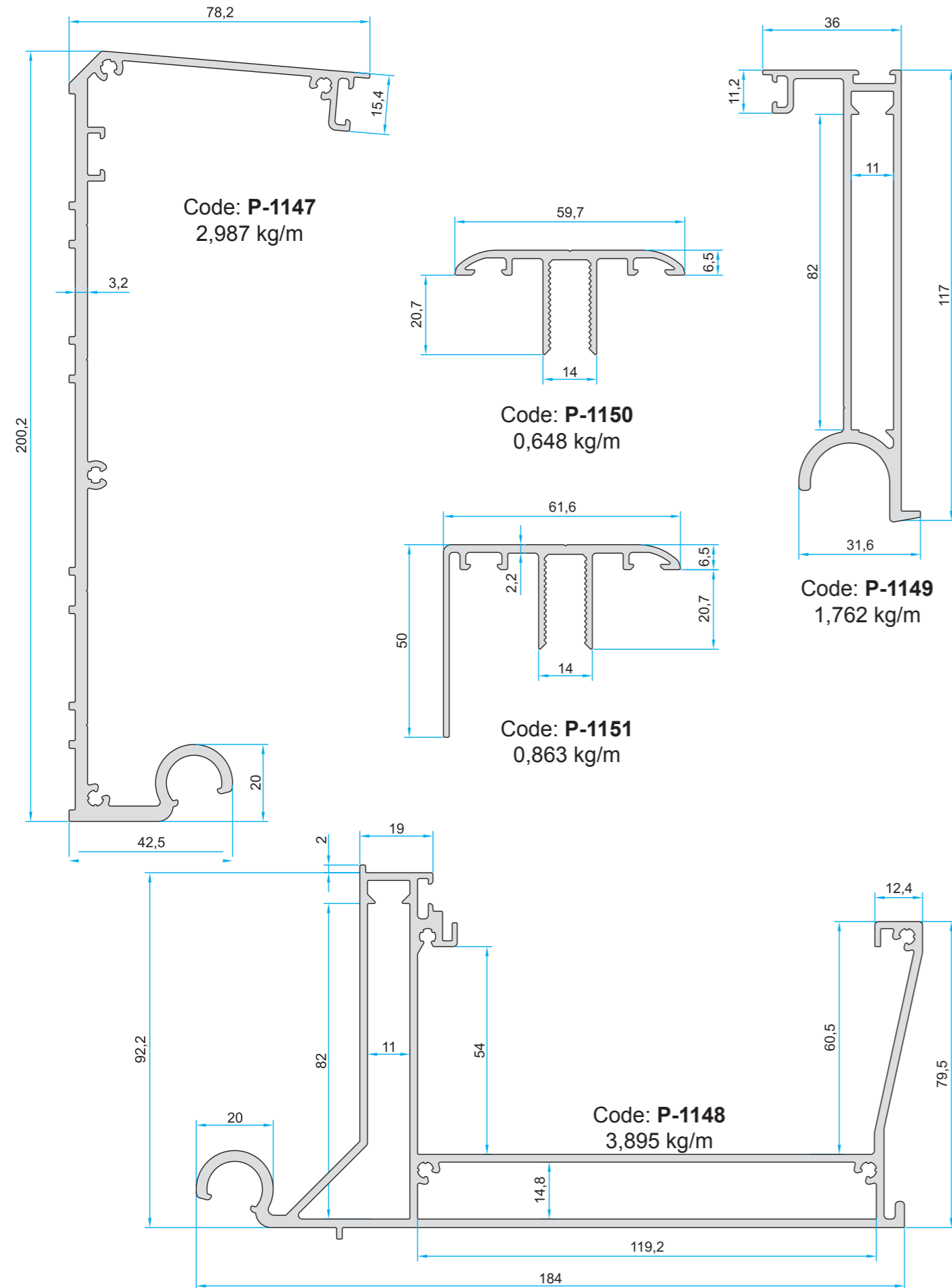
Opaque Polycarbonate



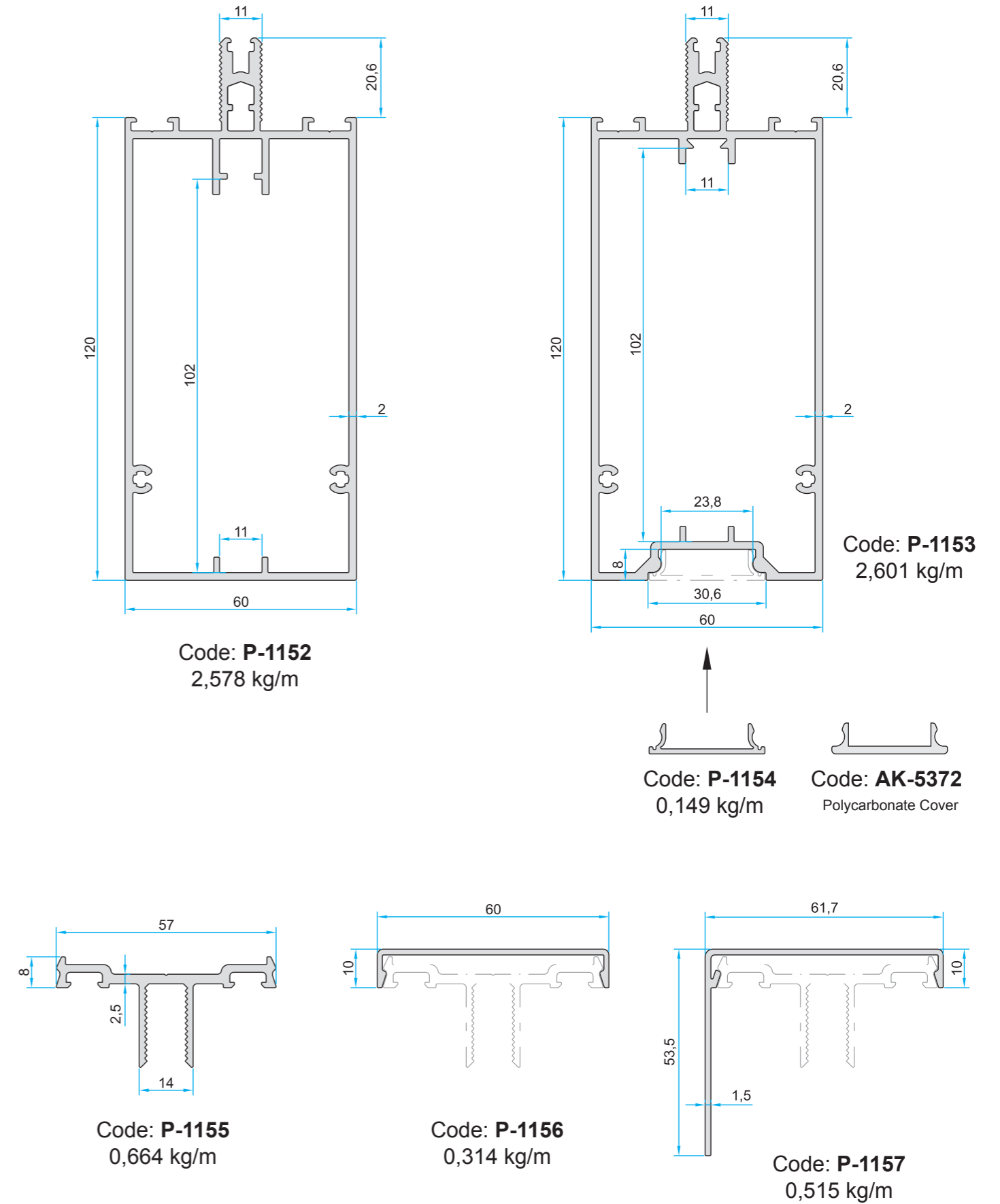
Clear Polycarbonate



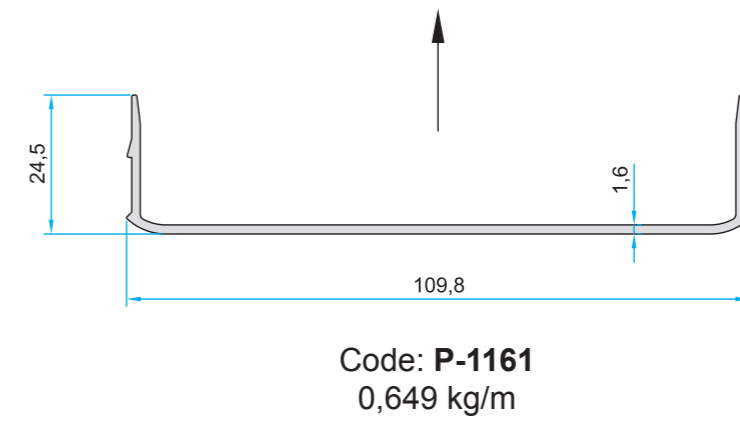
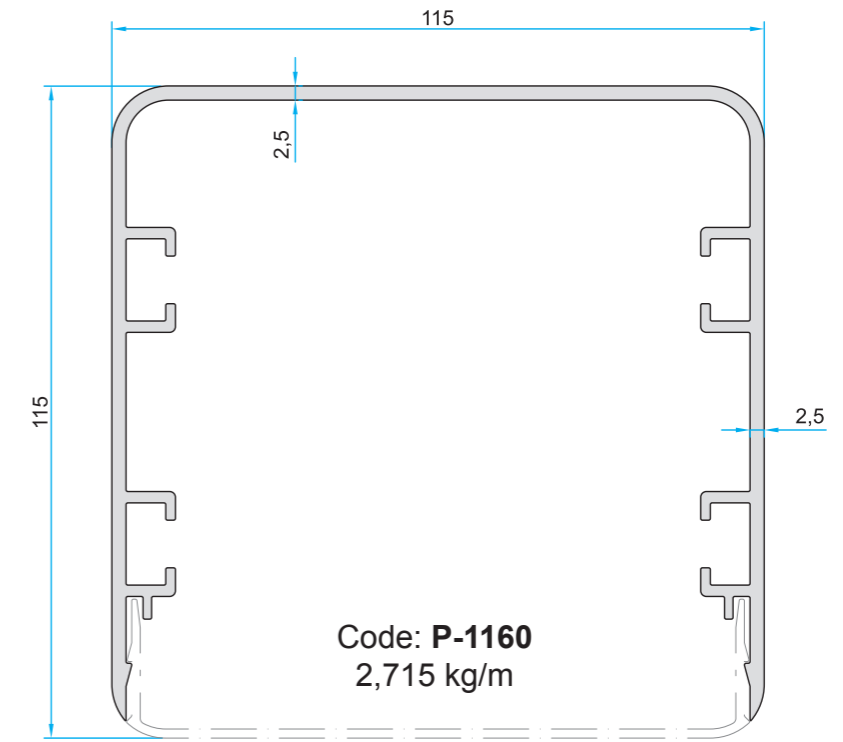
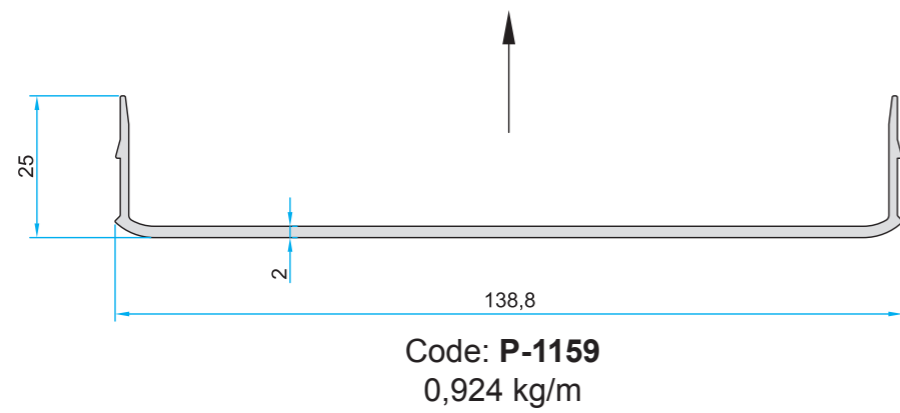
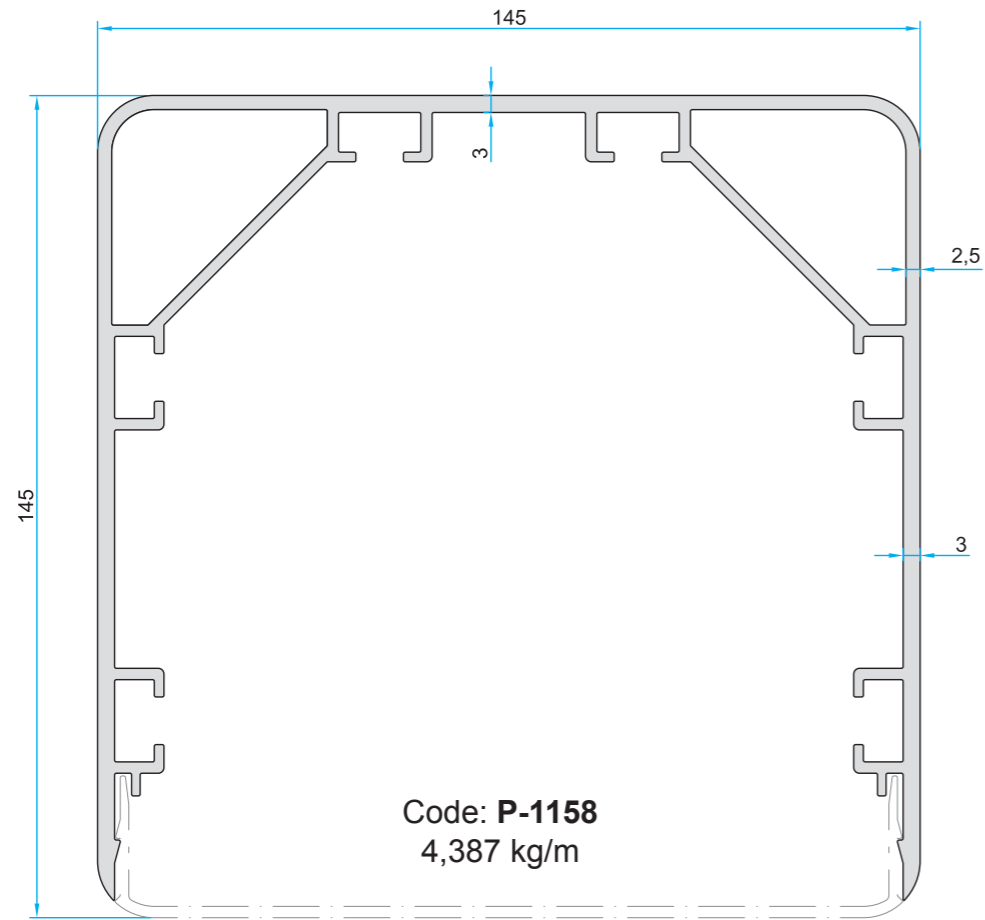
Argesan is Manufacturer
Dealer of BTS Aluminium



• Minimum order quantity is 300 kg per profile

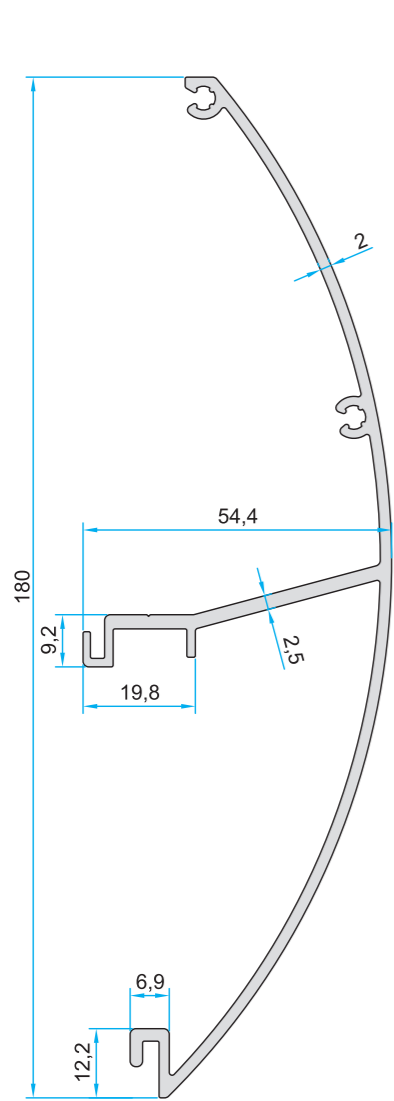


• Minimum order quantity is 300 kg per profile

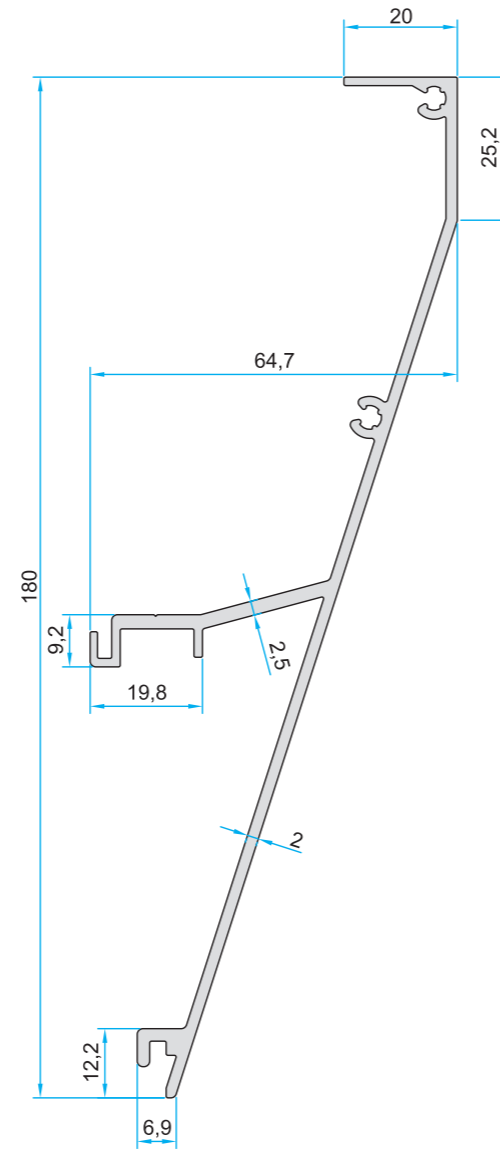


• Minimum order quantity is 300 kg per profile

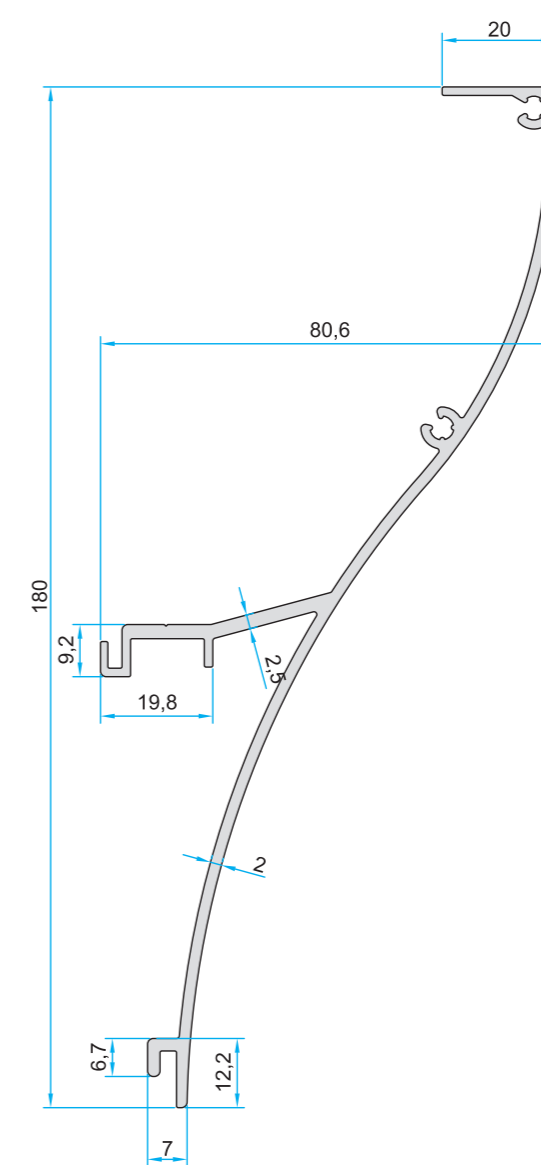
• Minimum order quantity is 300 kg per profile



Code: **P-1162**
1,695 kg/m



Code: **P-1163**
1,605 kg/m




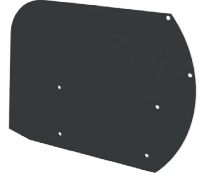
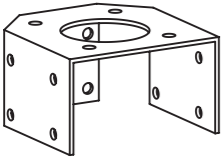
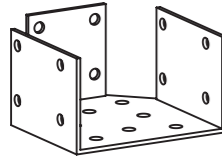
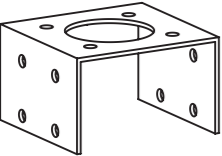
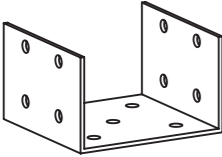
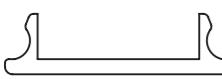


Code: **P-1164**
1,605 kg/m

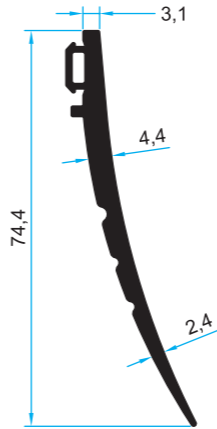
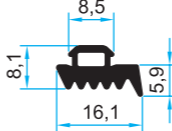
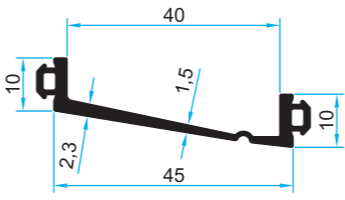
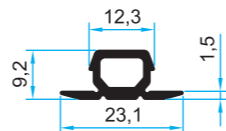
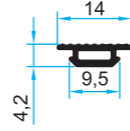
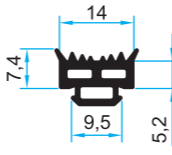
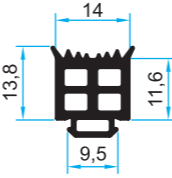
• Minimum order quantity is 300 kg per profile

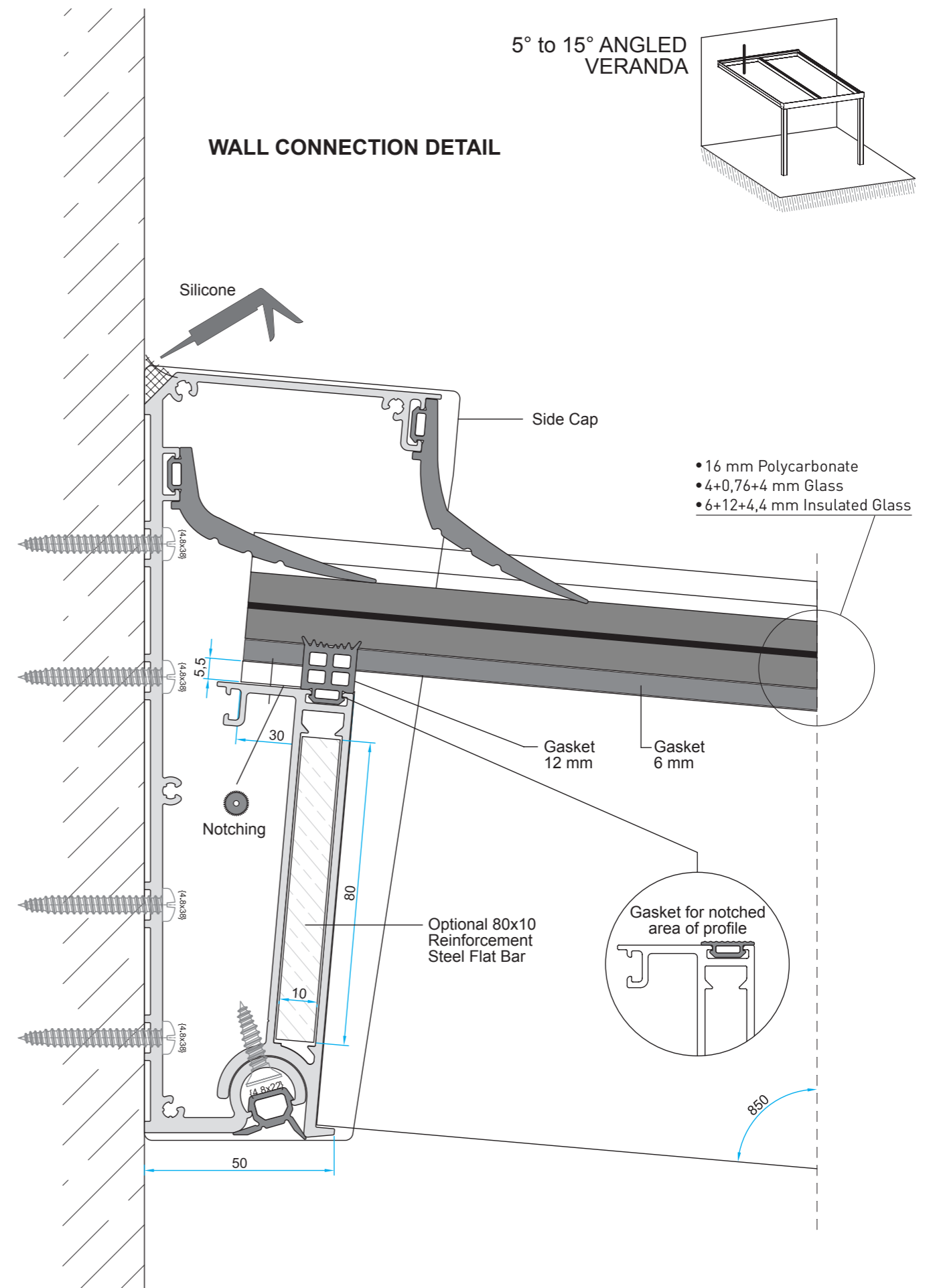
• Minimum order quantity is 300 kg per profile

ACCESSORIES

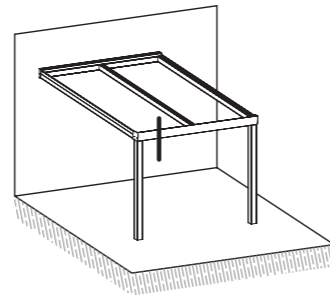
	CODE	DESCRIPTION	QUANTITY IN PACKAGE
	AK-5362	Side Cap for Wall Connection Profile	
	AK-5363	Side Cap For Wavy Model Front Decor Profile	
	AK-5364	Side Cap For Angled Model Front Decor Profile	
	AK-5365	Side Cap for Curved Front Decor Profile	
	AK-5367	Steel Connector for 145x145 Column to Drain Profile	
	AK-5366	Steel Anchor for Column Profile (145x145) to the Ground Fixing	
	AK-5369	Steel Connector for 115x115 Column to Drain Profile	
	AK-5368	Steel Anchor for Column Profile (115x115) to the Ground Fixing	
	AK-5372	Polycarbonate Cover for LED Channel (6m)	

GASKETS

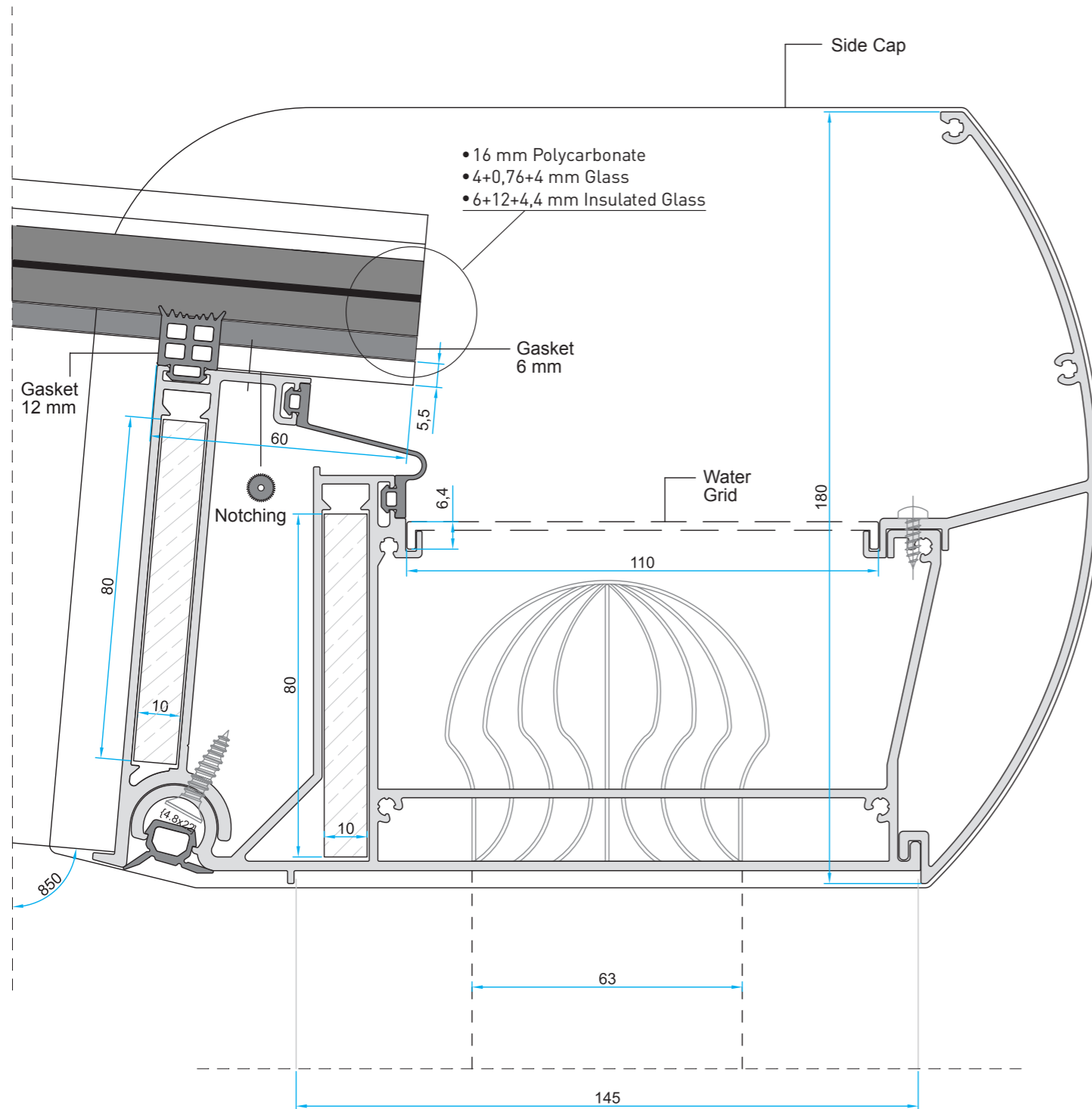
	CODE	DESCRIPTION	QUANTITY IN PACKAGE
	CNT-VR12	Wall Gasket	50 m
	CNT-VR13	Top Cover Profile Gasket	200 m
	CNT-VR14	Dilatation Gasket	100 m
	CNT-VR15	Screw Hiding Gasket	200 m
	CNT-VR16	Gasket for Notched Area of Carrier Profile	200 m
	CNT-VR17	Inner Gasket Under Glass / Polycarbonate	200 m
	CNT-VR18	Gasket for Adjustable Profile	100 m



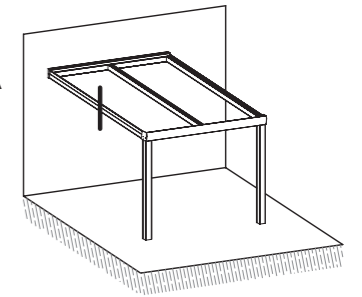
5° to 15° ANGLED
VERANDA



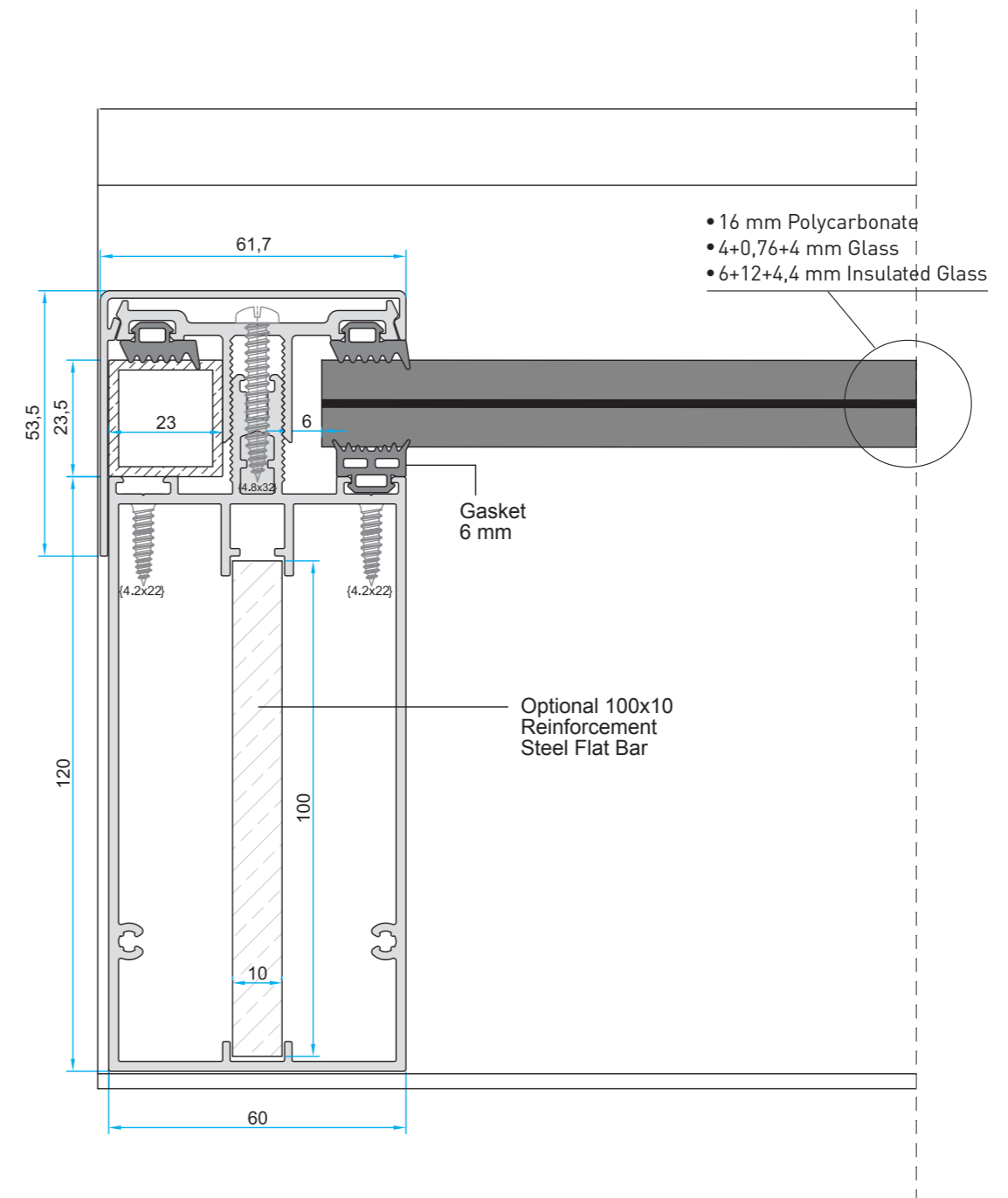
GROOVE & DRAIN CHANNEL DETAIL



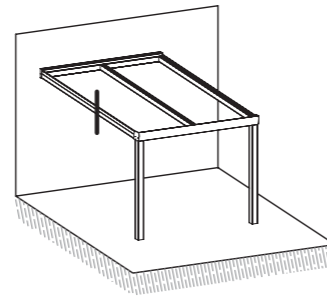
5° to 15° ANGLED
VERANDA



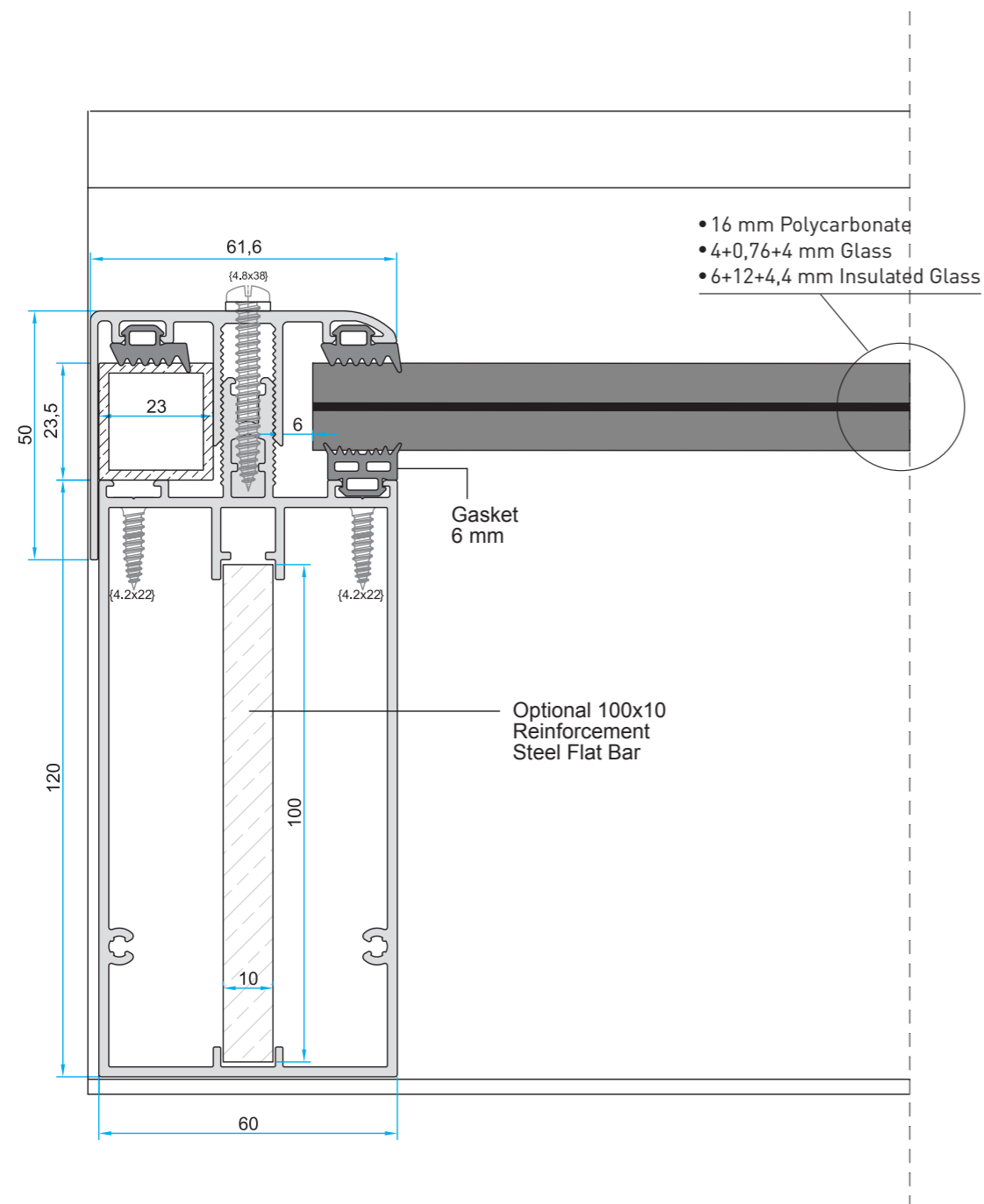
ALTERNATIVE - 1
GLASS/POLYCARBONATE SIDE FIXING PROFILE
WITH SCREW CONNECTION AND COVER



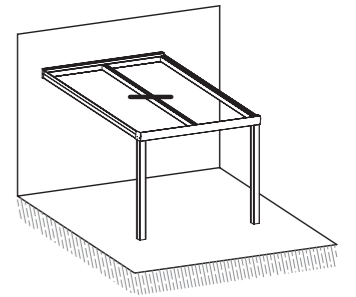
5° to 15° ANGLED
VERANDA



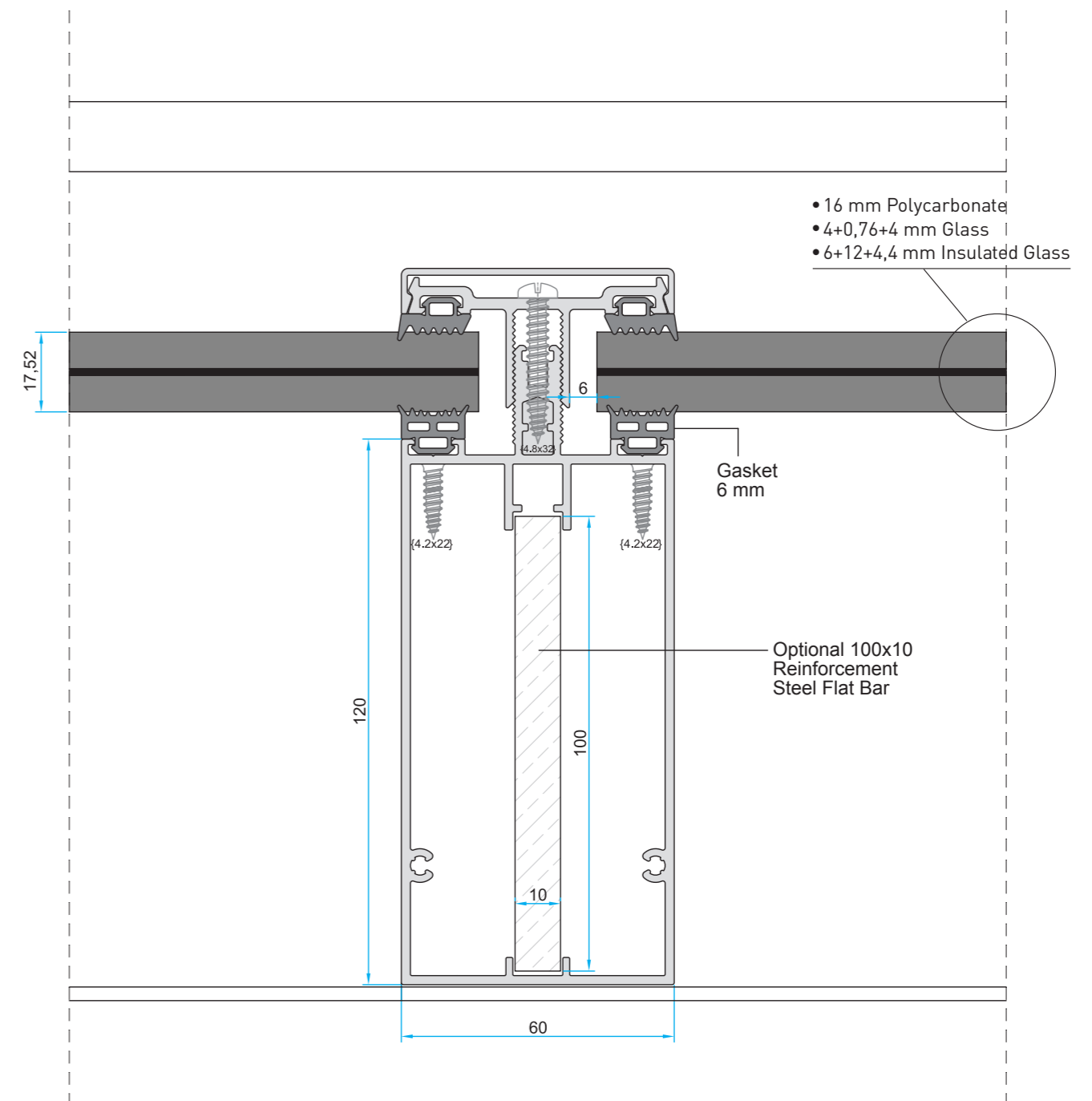
ALTERNATIVE - 2
GLASS/POLYCARBONATE SIDE FIXING PROFILE
WITH SCREW CONNECTION AND COVER



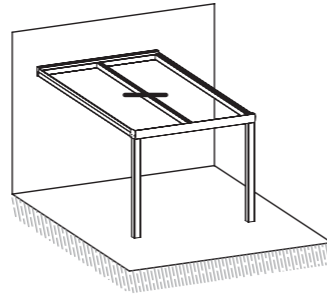
5° to 15° ANGLED
VERANDA



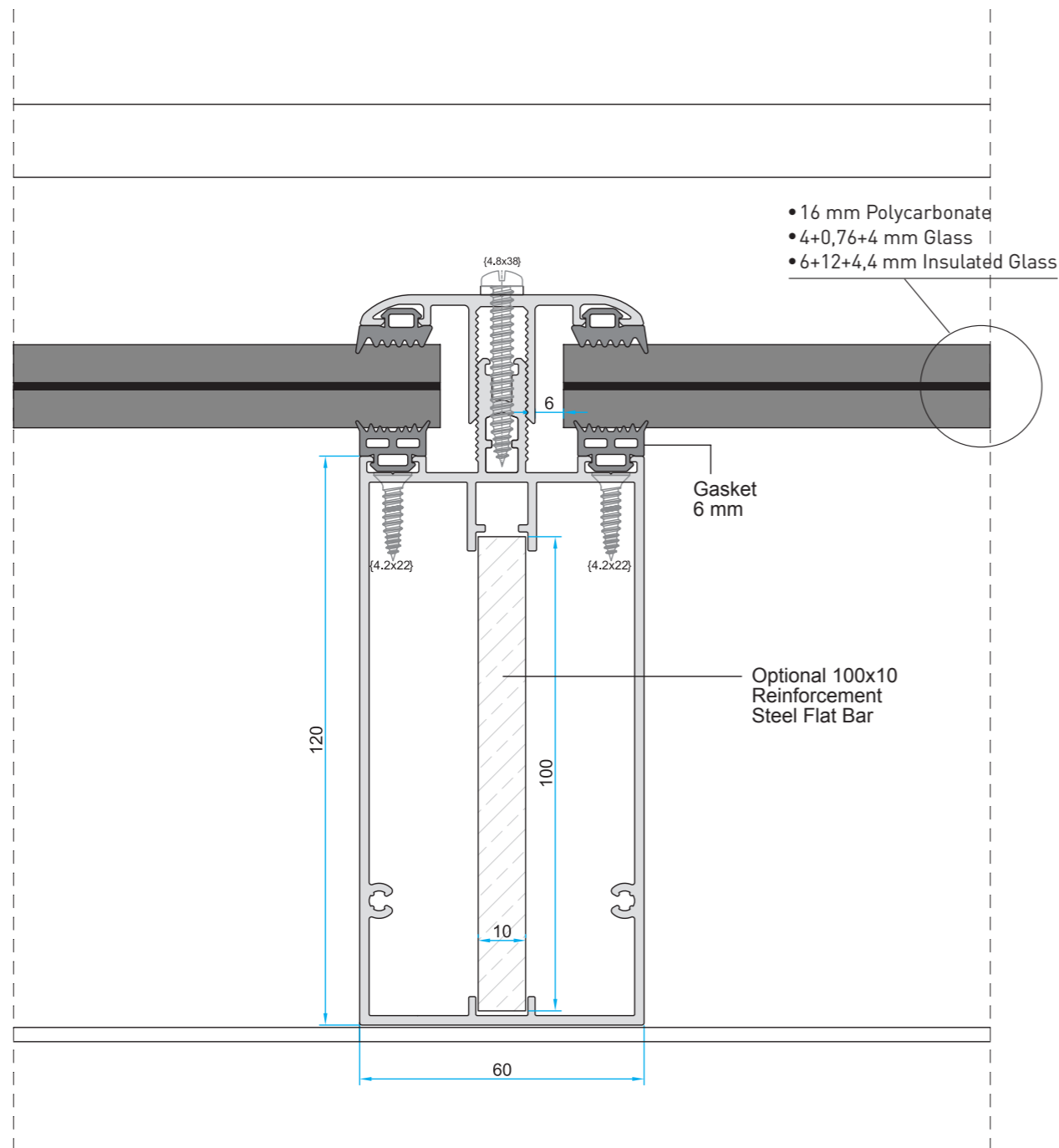
ALTERNATIVE - 1
GLASS/POLYCARBONATE MIDDLE FIXING PROFILE
DETAIL WITH SCREW AND COVER



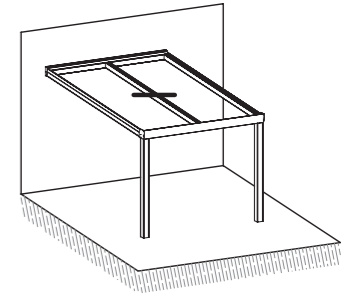
5° to 15° ANGLED
VERANDA



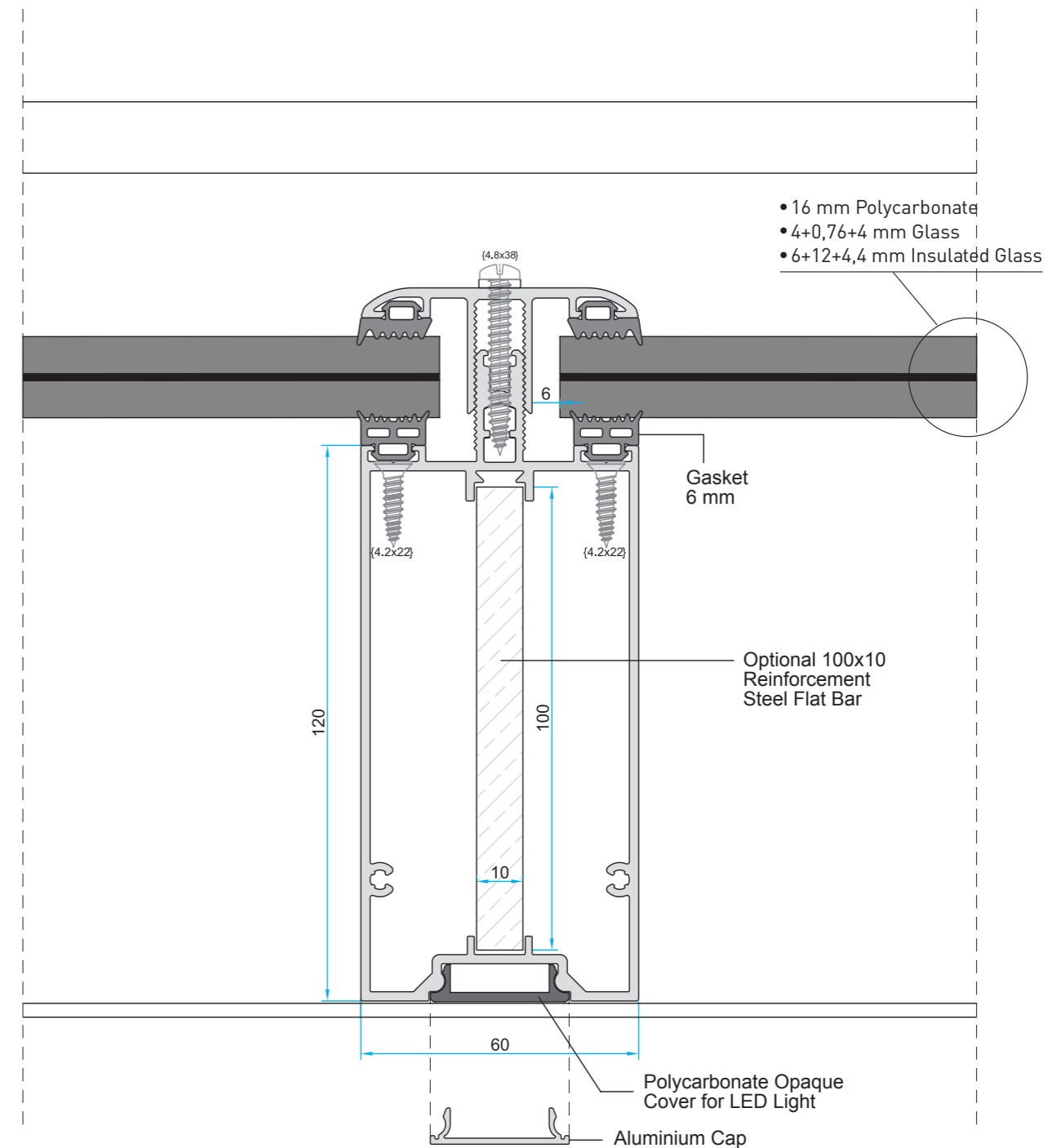
ALTERNATIVE - 2
GLASS/POLYCARBONATE MIDDLE FIXING
PROFILE DETAIL WITH SCREW



5° to 15° ANGLED
VERANDA

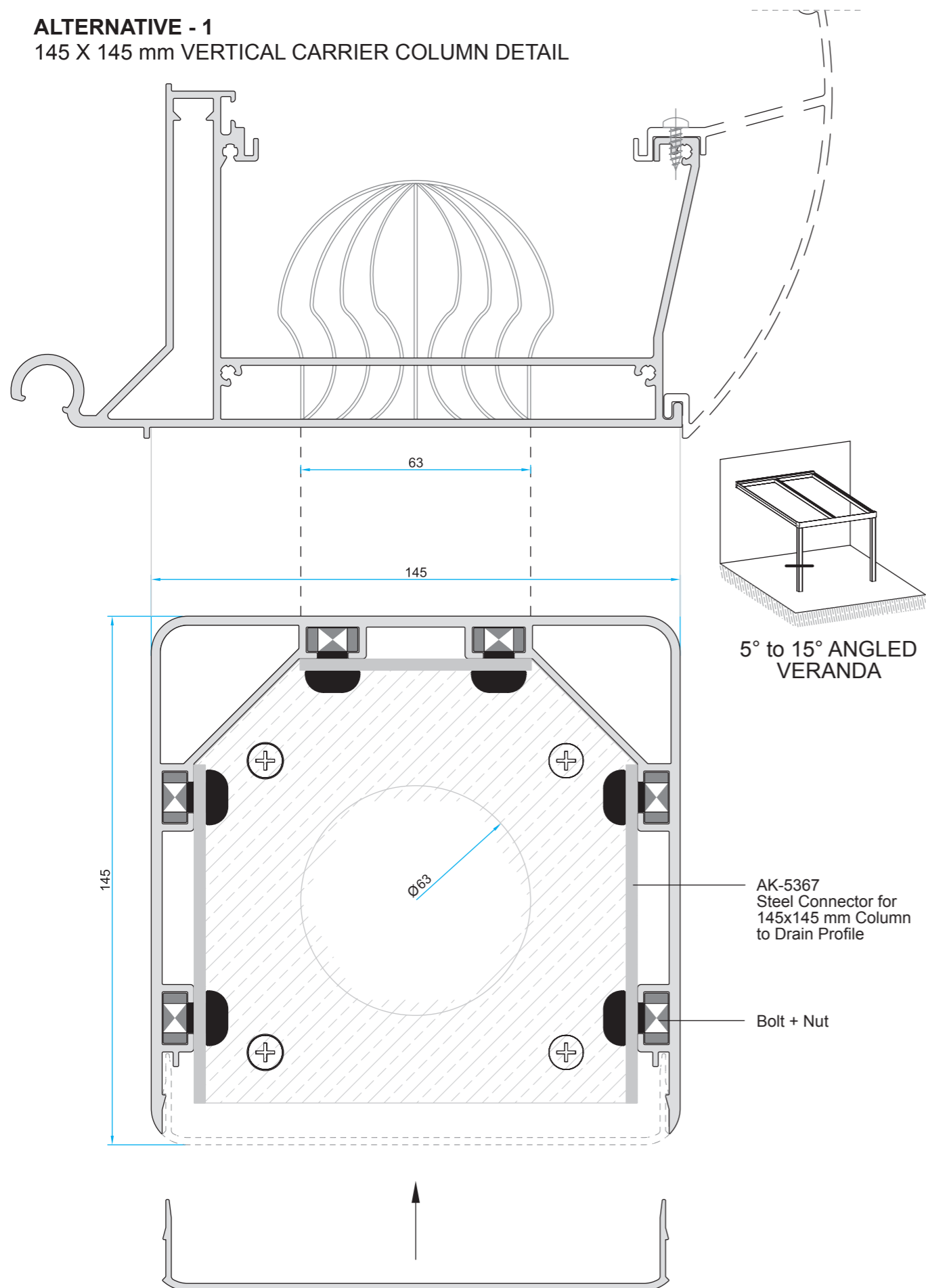


ALTERNATIVE - 3
CARRIER PROFILE WITH LED CHANNEL



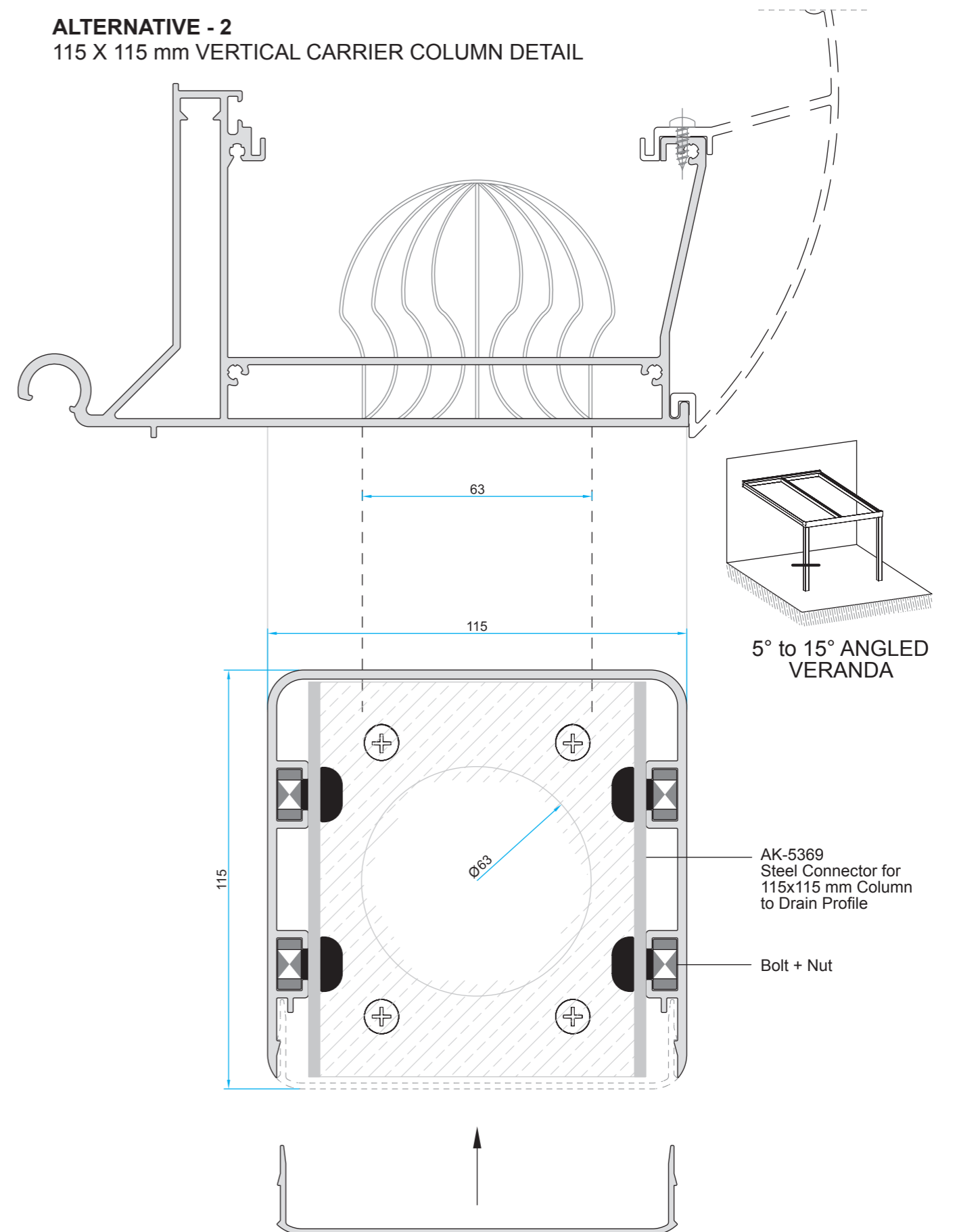
ALTERNATIVE - 1

145 X 145 mm VERTICAL CARRIER COLUMN DETAIL

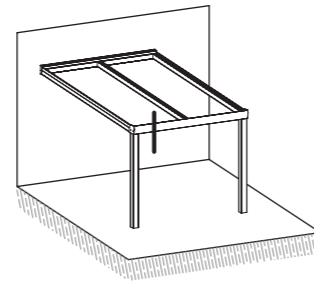


ALTERNATIVE - 2

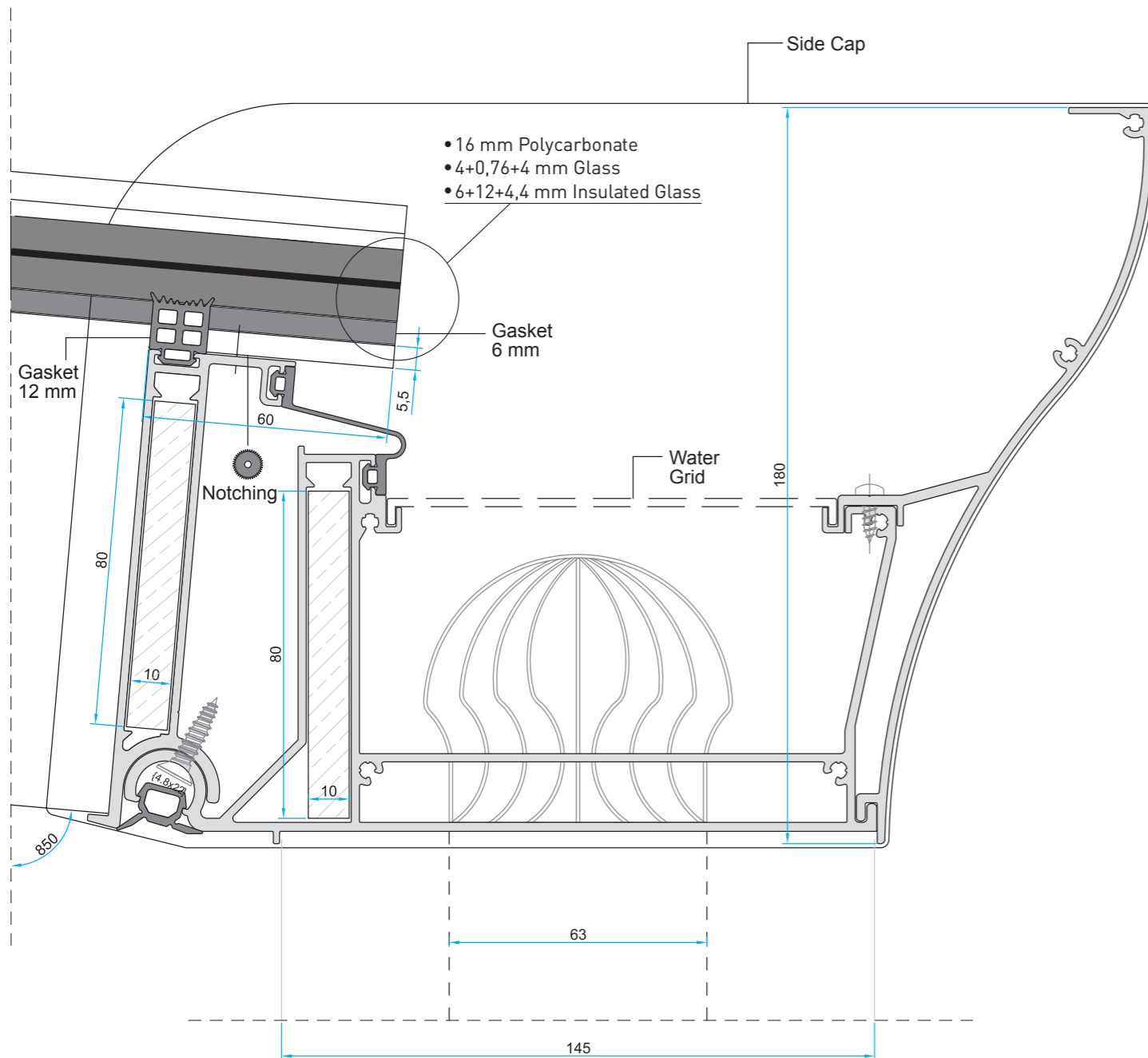
115 X 115 mm VERTICAL CARRIER COLUMN DETAIL



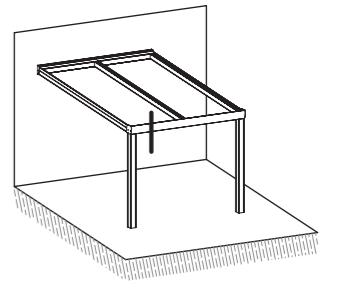
5° to 15° ANGLED
VERANDA



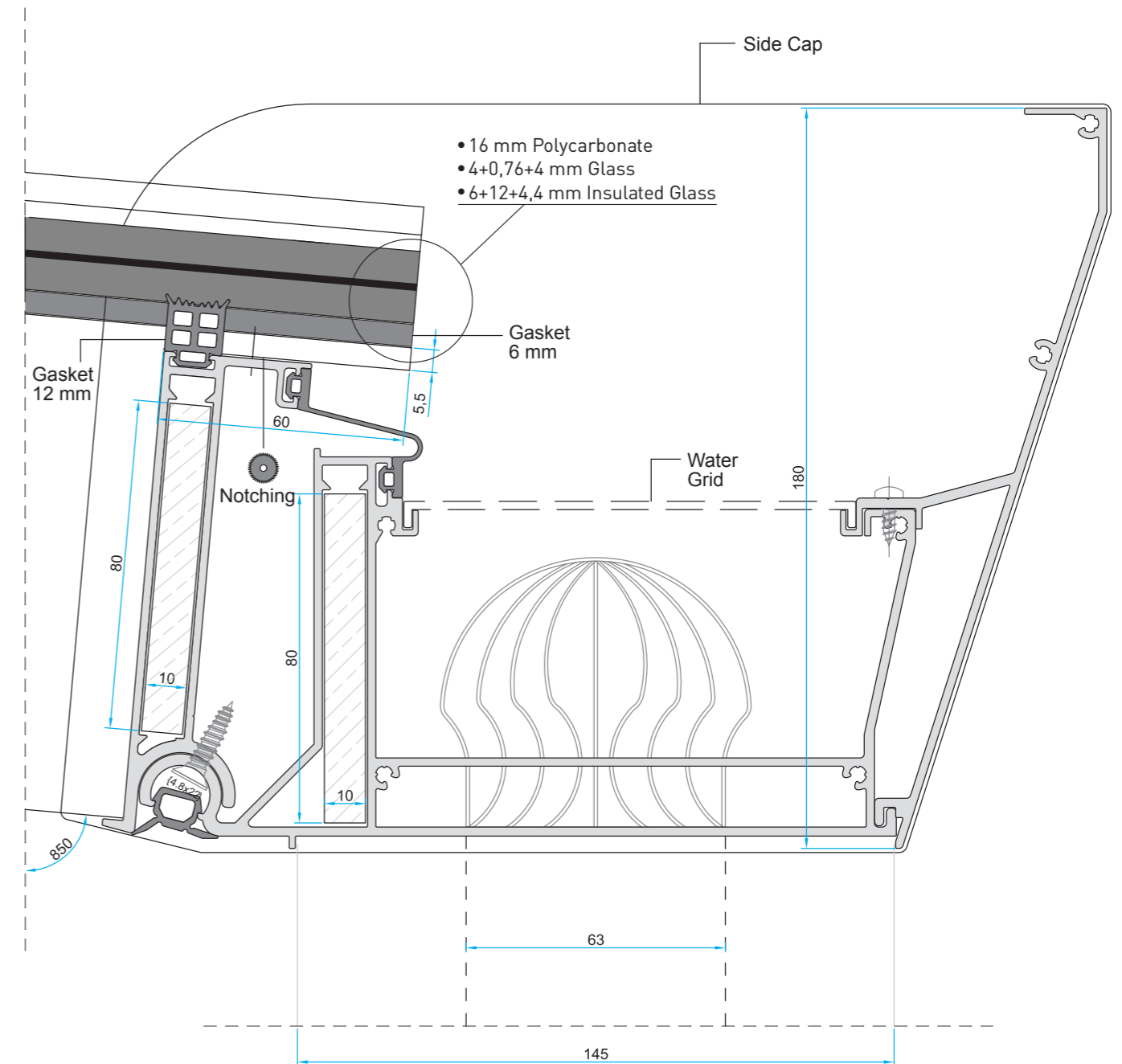
FRONT DECOR PROFILE ALTERNATIVE - 1
WAVY MODEL



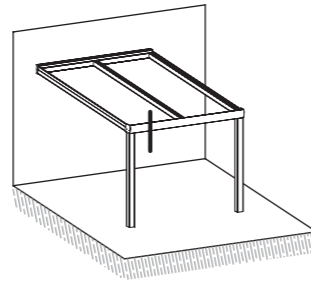
5° to 15° ANGLED
VERANDA



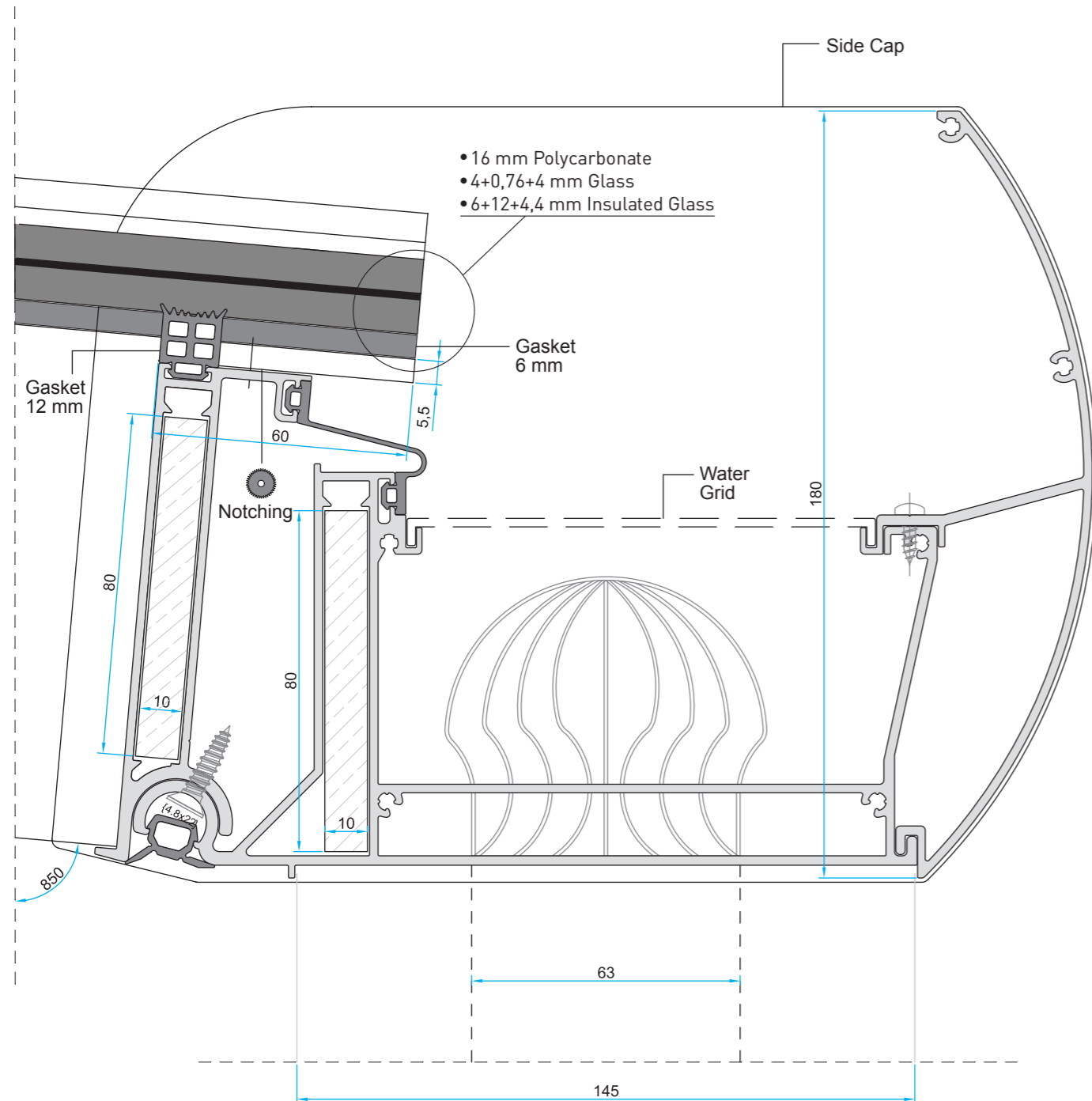
FRONT DECOR PROFILE ALTERNATIVE - 2
ANGLED MODEL



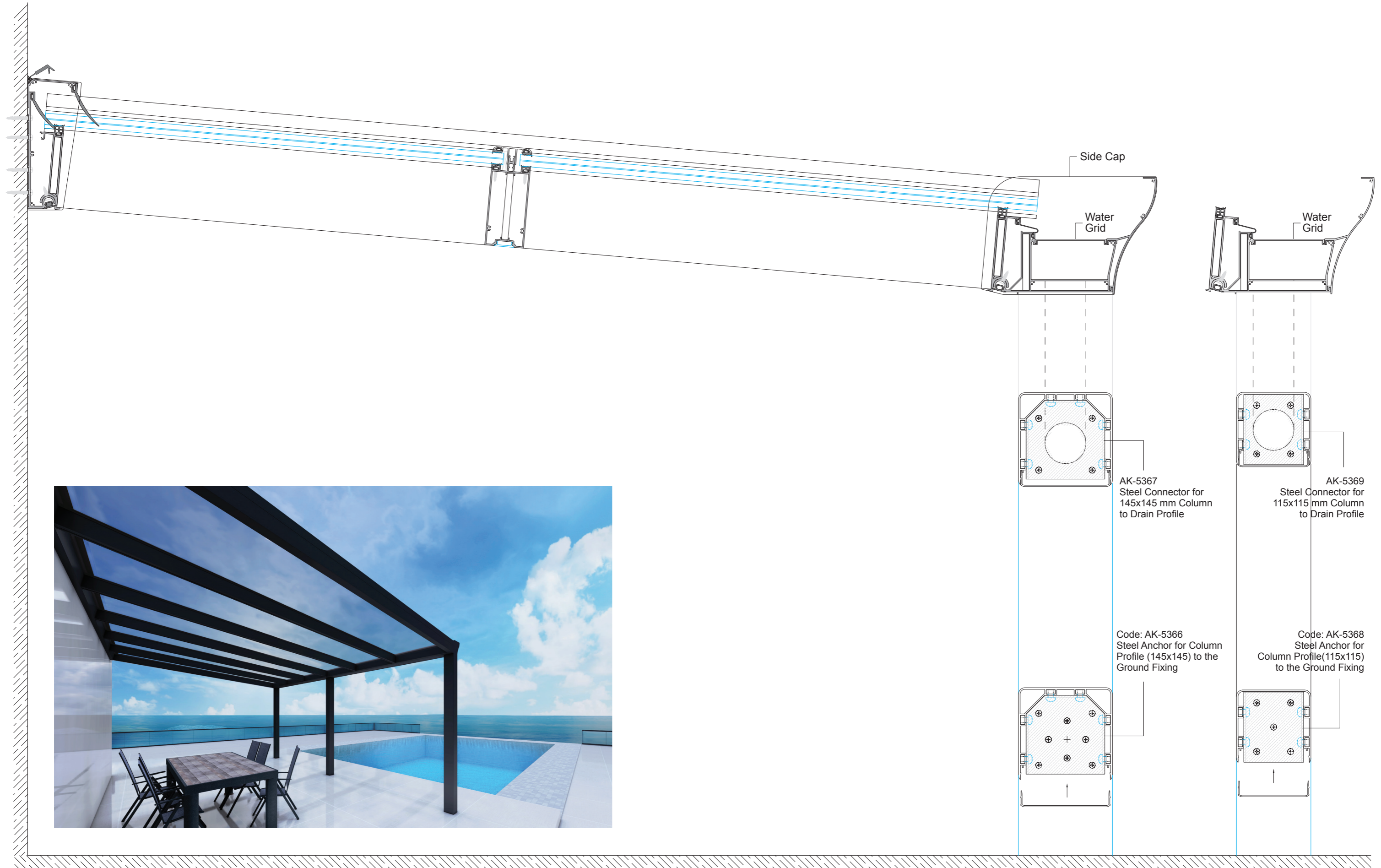
5° to 15° ANGLED
VERANDA

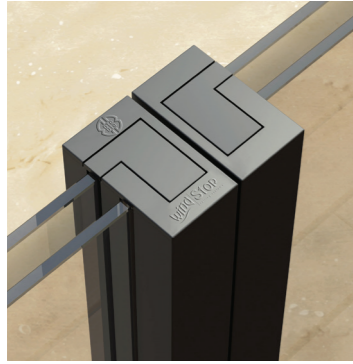


FRONT DECOR PROFILE ALTERNATIVE - 3
CURVED MODEL



VERANDA

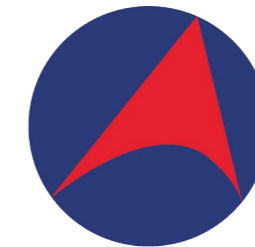




BTS Height Adjustable Windscreen System



BTS
ALUMINIUM



Argesan is Manufacturer
Dealer of BTS Aluminium

btsaluminium.com

YETKİLİ ÜRETİCİ BAYİ SERTİFİKASI

BTS ALUMİNİUM

“ARGESAN KALIP SAN.TİC.LTD”nin

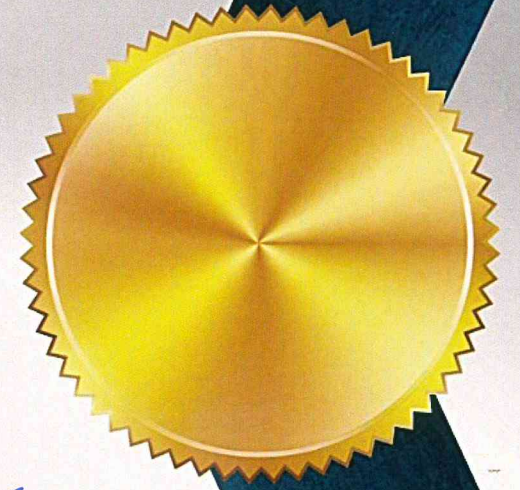
Ahi Evran OSB Mah. Oğuz Cad. No : 11 06935 Sincan / ANKARA / TÜRKİYE

*BTS Markalı Aluminium Sistemlerinin
imalatını, satışını ve montajını yapmaya yetkili
üretici bayi olduğunu tasdik eder.*



BTS
ALÜMİNİYUM-METAL VE PVC AKS.SAN.TİC.LTD.ŞTİ.
BOSB Mermerçiler San.Sit. 7.Cd No:6
34524 Beylikdüzü / İSTANBUL-TÜRKİYE
T:0212 876 17 14 / 876 50 88 F:0212 876 08 95
Beylikdüzü V.D. V.No:187 009 3596

**Burak Şakar (Mr.)
Managing Director
BTS Aluminium**



CERTIFICATE

OF AUTHORIZED MANUFACTURER DEALER

BTS ALUMINIUM
hereby certifies that

“ARGESAN KALIP SAN.TIC.LTD”

Ahi Evran OSB Mah. Oğuz Cad. No : 11 06935 Sincan / ANKARA / TÜRKİYE

*is the authorized manufacturer dealer to
manufacture, sell and install BTS Branded
Aluminum Systems.*



BTS
ALÜMİNYUM-METAL VE PVC AKS SAN.TIC.LTD.ŞTİ.
BOSB Mermerler San.Şti. 7.Cd No:6
34524 Beylikdüzü / İSTANBUL-TÜRKİYE
T:0212 875 17 14 / 876 50 88 F:0212 876 08 95
Beylikdüzü V.D.V.No:187 009-3596

Burak Şakar (Mr.)
Managing Director
BTS Aluminium

